

Technical data sheet

End piece

Item number: 5320011



- With Ø 11 mm fastening hole
- 2 hexagonal bolts M6 x 12, bolts made of hot galvanised steel or of VA
- Clamping block made of die-cast zinc or copper-plated die-cast zinc

- Zn** Die-cast zinc
- G** Electrogalvanized

Master data

Item number	5320011
Type	280 8-10
Description 1	End piece
Manufacturer	OBO
Dimension	60x30x20
Material	Die-cast zinc
Surface	Electrogalvanized
Surface standard	EN ISO 19598 / EN ISO 4042
Smallest sales unit	20
Unit of quantity	Piece
Weight	6.3 kg
Weight unit	kg/100 pc.
CO2 Footprint (GWP) Cradle-to-Gate	0,2995 kg CO2e / 1 Piece

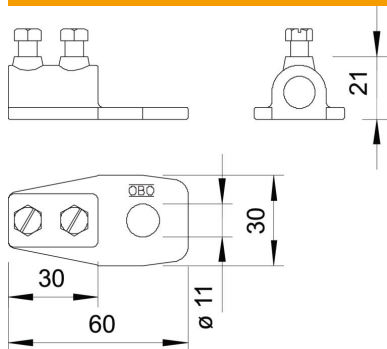
Technical data sheet

End piece

Item number: 5320011



Dimensions



Technical data

Type of fastening screw	Hexagonal bolt
Type of connector	End piece
Fastening hole	11 mm
Suitable for connection	Round conductor Rd 8–10 / Rd 8–10
Fit	Rd 8-10 mm
Intermediate plate	no