

# Technical data sheet

## isCon® conductor, Professional plus light grey



Item number: 5407997



Please refer to the mounting instructions for information on routing the OBO isCon® conductor.

- Highly voltage-resistant, insulated conductor
- Protection against contact voltage during rain (VDE 0432-1 (IEC/EN 60060-1))
- Floating discharge-free
- Additional mechanical protection (double protective jacket)
- For maintenance of the separation distance according to IEC 62305 (VDE 0185-305-3)
- Tested according to IEC/EN 62561-1 (VDE 0185-561-1) with H1/150 kA
- Equivalent separation distance  $se \leq 0.75$  m (air) and  $se \leq 1.5$  (solid material)
- Tested according to IEC TS 62561-8 (VDE V 0185-561-8)
- Halogen-free
- Fire load 5.1 kWh/m
- Protection against contact voltage under sprinkling (VDE 0432-1 (IEC/EN 60060-1))
- Can be used in potentially explosive areas Ex zone 1/2 and 21/22 when taking the current mounting instructions into account



### Master data

Item number	5407997
Type	isCon Pro+ 75 GR
Description 1	Insulated down conductor
Description 2	100 m roll
Manufacturer	OBO
Dimension	Ø26mm
Colour	Light grey
Smallest sales unit	100
Unit of quantity	Metre
Weight	86.8 kg
Weight unit	kg/100 m

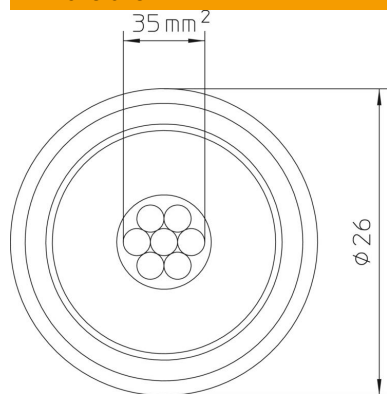
# Technical data sheet

isCon® conductor, Professional plus light grey

Item number: 5407997



## Dimensions



## Technical data

Number of individual wires	7
High voltage-resistant, insulated version	yes
Nominal ring (approx. m)	100
Length tolerance ±	5 %
Cross-section	35 mm <sup>2</sup>
Material property	Miscellaneous
Material jacket	EVA
Equivalent separating distance s(e)/m (in air)	0.75