

Technical data sheet

isCon® conductor, Professional black

Item number: 5408008



Please refer to the mounting instructions for information on routing the OBO is-Con® Pro conductor.

- Highly voltage-resistant, insulated conductor
- Floating discharge-free
- For maintenance of the separation distance according to IEC 62305 (VDE 0185-305-3)
- Tested according to IEC/EN 62561-1 (VDE 0185-561-1) with H1/150 kA
- Equivalent separation distance $se \leq 0.75$ m (air) and $se \leq 1.5$ m (solid material)
- Tested according to IEC TS 62561-8 (VDE V 0185-561-8)
- Halogen-free
- Fire load 3.3 kWh/m

Master data

Item number	5408008
Type	isCon Pro 75 SW
Description 1	Insulated down conductor
Description 2	100 m cable reel
Manufacturer	OBO
Dimension	Ø20mm
Colour	Black
Smallest sales unit	100
Unit of quantity	Metre
Weight	57 kg
Weight unit	kg/100 m

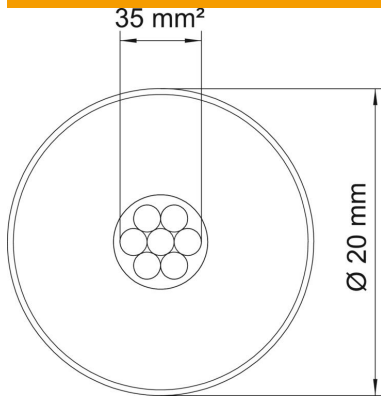
Technical data sheet

isCon® conductor, Professional black

Item number: 5408008



Dimensions



Technical data

Number of individual wires	7
High voltage-resistant, insulated version	yes
Nominal ring (approx. m)	100
Length tolerance ±	5 %
Cross-section	35 mm ²
Material property	Miscellaneous
Material jacket	EVA
Equivalent separating distance s(e)/m (in air)	0.75