

# Technical data sheet

## isCon® conductor, Premium black

Item number: 5408018



Please refer to the mounting instructions for information on routing the OBO is-Con® Premium conductor.

- Highly voltage-resistant, insulated conductor
- Floating discharge-free
- Tested according to IEC/EN 62561-1 (VDE 0185-561-1) with H2/200 kA
- Equivalent separation distance  $s_e \leq 0.90$  m (air) and  $s_e \leq 1.8$  m (solid material)
- Tested according to IEC TS 62561-8 (VDE V 0185-561-8)
- Halogen-free
- Fire load 4.2 kWh/m

### Master data

Item number	5408018
Type	isCon PR 90 SW
Description 1	Insulated down conductor
Description 2	100 m cable reel
Manufacturer	OBO
Dimension	Ø23mm
Colour	Black
Smallest sales unit	100
Unit of quantity	Metre
Weight	66.6 kg
Weight unit	kg/100 m

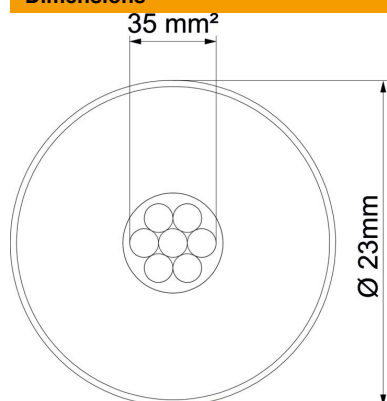
# Technical data sheet

isCon® conductor, Premium black

Item number: 5408018



## Dimensions



## Technical data

Number of individual wires	7
High voltage-resistant, insulated version	yes
Nomal ring (approx. m)	100
Length tolerance ±	5 %
Cross-section	35 mm <sup>2</sup>
Material property	Miscellaneous
Material jacket	EVA
Equivalent separating distance s(e)/m (in air)	0.9