

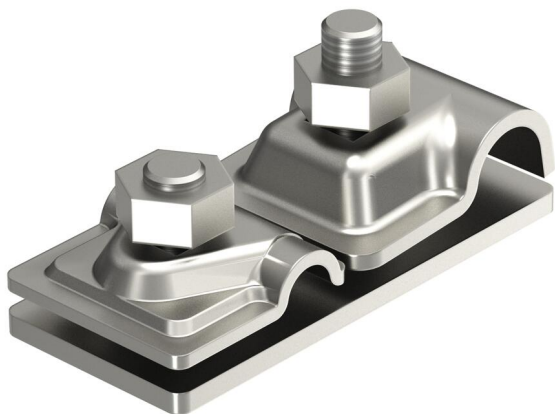
# Technical data sheet

## Connection plate for one isCon® cable

Item number: 5408026



Connection plate to connect an isCon® conductor with air-termination rod Ø 16 mm, tested up to 150 kA (lightning protection class II)



A2 Stainless steel

### Master data

Item number	5408026
Type	isCon AP1-16 VA
Description 1	Connection plate
Description 2	for one isCon conductor
Manufacturer	OBO
Dimension	16x8-10mm
Material	Stainless steel 1.4301
Smallest sales unit	1
Unit of quantity	Piece
Weight	27.4 kg
Weight unit	kg/100 pc.
CO2 Footprint (GWP) Cradle-to-Gate	1,7596 kg CO2e / 1 Piece

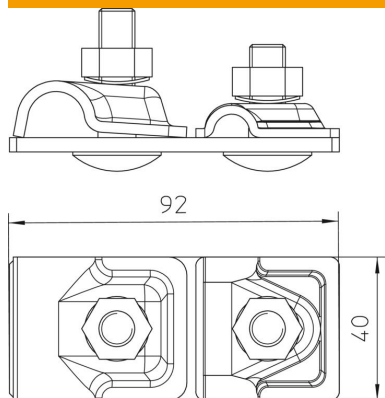
# Technical data sheet

## Connection plate for one isCon® cable

Item number: 5408026



### Dimensions



Length	92 mm
Dimension B	40 mm
Dimension H	45.5 mm

### Technical data

Connection	Round conductor
Lightning current carrying capacity	H1/150 kA
Fit	Rd 8-10 x Rd 16 mm