

Technical data sheet

SLL 60 medium-duty vertical ladder, 6 m, FT

Item number: 6010630



Vertical ladder with a side height of 60 mm with riveted C profile rungs, open in upwards direction.
Fastening takes place directly on the wall or using the wall brackets, type WB 30/75. The slot dimension of the rung is 18 mm and the appropriate clamp clip is type 2056U.



- St** Steel
- FT** Hot-dip galvanised

Master data

Item number	6010630
Type	SLL 620 CPS 4 FT
Description 1	Medium duty vertical ladder
Description 2	with CPS rung
Manufacturer	OBO
Dimension	60x200x6000
Colour	zinc
Material	Steel
Surface	Hot-dip galvanised
Surface standard	DIN EN ISO 1461
Smallest sales unit	6
Unit of quantity	Metre
Weight	291.933 kg
Weight unit	kg/100 m
CO2 Footprint (GWP) Cradle-to-Gate	6,4451 kg CO2e / 1 Meter

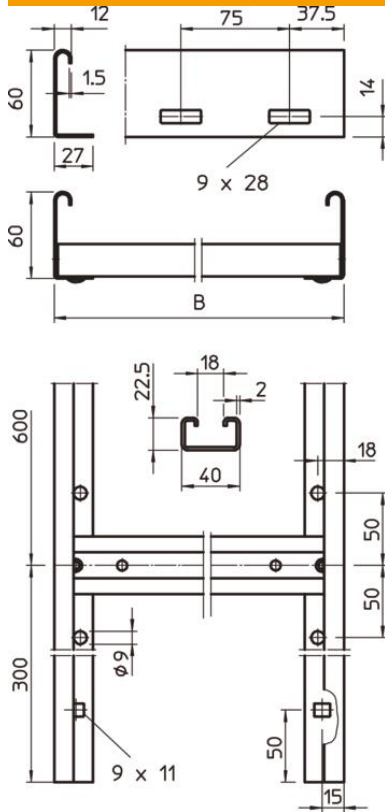
Technical data sheet

SLL 60 medium-duty vertical ladder, 6 m, FT

Item number: 6010630



Dimensions



Length	6,000 mm
Width	200 mm
Height	60 mm
Dimension B	200 mm
Rung slot dimension	18.00

Technical data

Side wall version	Flat profile
Version of the rungs	Profile perforated
Maintain electrical functions	no
Usable cross-section	76 cm ²
Rustproof steel, pickled	no
Side perforation	yes
Rung distance	600 mm
Rail thickness	1.5 mm