

Technical data sheet

Barrier strip 85 A2

Item number: 6062173



Barrier strip for separation of cables of different voltages or functions.



A2 Stainless steel

2B Bright, treated

Master data

Item number	6062173
Type	TSG 85 A2
Description 1	Barrier strip
Description 2	for cable support systems
Manufacturer	OBO
Dimension	85x2995
Colour	stainless steel
Material	Stainless steel 1.4301
Surface	Bright, treated
Surface standard	
Smallest sales unit	3
Unit of quantity	Metre
Weight	74.958 kg
Weight unit	kg/100 m
CO2 Footprint (GWP) Cradle-to-Gate	3,6394 kg CO2e / 1 Meter

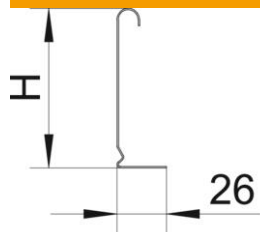
Technical data sheet

Barrier strip 85 A2

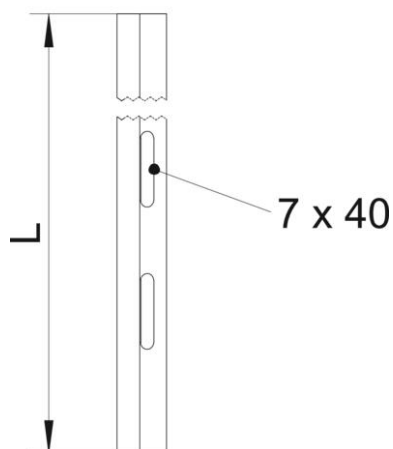
Item number: 6062173



Dimensions



Height	85 mm
Plate thickness	0.75 mm
Dimension H	85 mm
Dimension L	3,000 mm



Technical data

Version for	L profile
Fastening type	Screw-on
Fastening perforation (ETIM)	no
Maintain electrical functions	no
Suitable for mesh cable tray	yes
Suitable for cable ladder	yes
Suitable for cable tray	yes
Rustproof steel, pickled	no