

Technical data sheet

Turn buckle FT

Item number: 6065012



Turn buckle for additional installation or installation at a later date.
Single-sided turn buckle. Use for cover widths of 100–600 mm.
Depending on the cover version, dimension B varies as follows:
DRL / DRLU = 27 mm
DBKR = 27 mm
WDRL = 38 mm
WKLD = 58 mm



- St** Steel
- FT** Hot-dip galvanised

Master data

Item number	6065012
Type	DRL H FT
Description 1	Turn buckle
Description 2	for cover
Manufacturer	OBO
Colour	zinc
Material	Steel
Surface	Hot-dip galvanised
Surface standard	DIN EN ISO 1461
Smallest sales unit	20
Unit of quantity	Piece
Weight	2.187 kg
Weight unit	kg/100 pc.
CO ₂ Footprint (GWP) Cradle-to-Gate	0,0954 kg CO ₂ e / 1 Piece

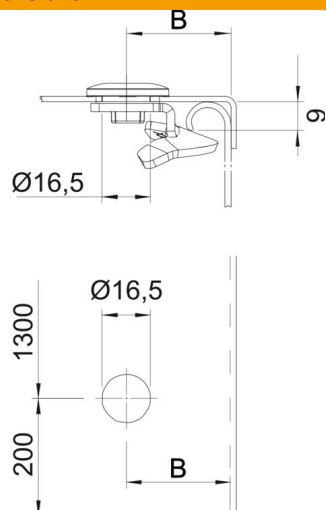
Technical data sheet

Turn buckle FT

Item number: 6065012



Dimensions



Technical data

Suitable for mesh cable tray	no
Suitable for cable ladder	yes
Suitable for cable tray	yes
Rustproof steel, pickled	no