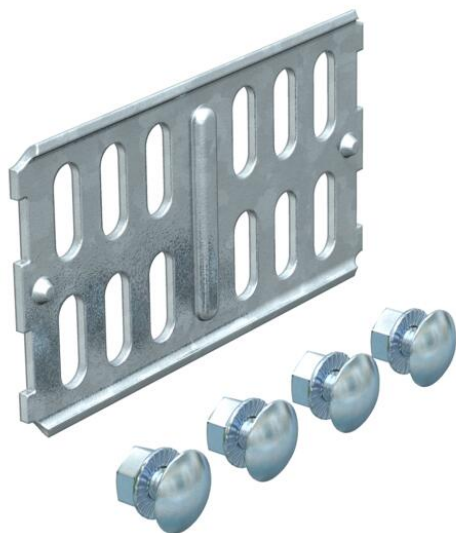


# Technical data sheet

## Straight connector FS

Item number: 6067093



Straight connector for straight connection of cable trays and fittings with a side height of 60 mm.  
Including appropriate fastening material.



**St** Steel

**FS** Strip galvanized

### Master data

Item number	6067093
Type	RLVK 60 FS
Description 1	Straight connector
Description 2	for cable tray
Manufacturer	OBO
Dimension	60x100
Colour	zinc
Material	Steel
Surface	Strip galvanized
Surface standard	DIN EN 10346
Smallest sales unit	10
Unit of quantity	Piece
Weight	9.6 kg
Weight unit	kg/100 pc.
CO2 Footprint (GWP) Cradle-to-Gate	0,2749 kg CO2e / 1 Piece

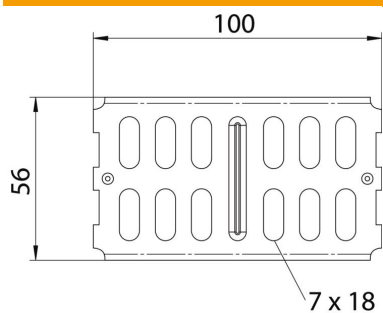
# Technical data sheet

## Straight connector FS

Item number: 6067093



### Dimensions



Dimension	200 x 56
Length	100 mm
Width	3.5 mm
Height	56 mm
Height	2 in
Plate thickness	2 mm

### Technical data

Version for	Straight connector
Maintain electrical functions	yes
Suitable for mesh cable tray	no
Suitable for cable ladder	no
Suitable for cable tray	yes
Suitable for cable tray system height	60 mm
Adjustable connector, horizontal	no
Articulated connector, vertical	no
Rustproof steel, pickled	no
Connection type	Screw connector