

Technical data sheet

Fastening clamp for Deskbox DB

Item number: 6116976



Fastening clamp for mounting a Deskbox type DB-... on the tabletop.

Note: For housing widths of 200 mm or more, two fastening clamps are required to mount a Deskbox.

The ready-for-connection type DB Deskbox is particularly suitable for the direct supply of workstations with energy, communication and data technology connections.

Master data

Item number	6116976
Type	DBZ-BZ40
Description 1	Fastening clamp
Description 2	clamping span 8 to 40 mm
Manufacturer	OBO
Colour	Black
Smallest sales unit	1
Unit of quantity	Piece
Weight	18 kg
Weight unit	kg/100 pc.

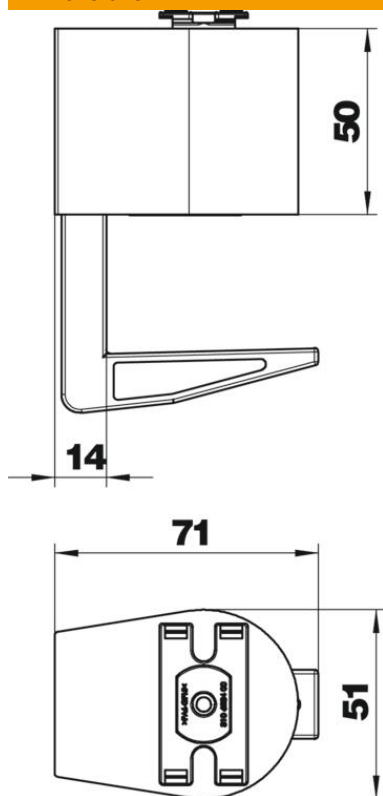
Technical data sheet

Fastening clamp for Deskbox DB

Item number: 6116976



Dimensions



Technical data

Version for	Clamping range 8 to 40 mm
Extendable	no
Foldable	no
Length of the supply cable	3 m
Surge protection	no
Clamping range, max.	40 mm
Clamping range, min.	8 mm