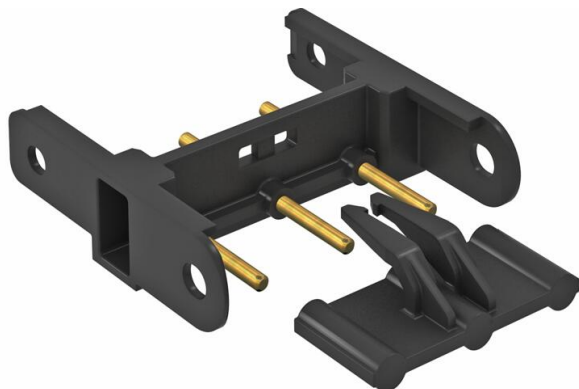


Technical data sheet

Modul 45connect® connector

Item number: 6117198



PA Polyamide

Connection adapter for combining STD-D0C / STD-D3C or STD-F0C / STD-F3C sockets.

Note: Socket combinations with two connection adapters at most are permitted.

Master data

Item number	6117198
Type	VB-SKS S
Description 1	Connector
Description 2	for Modul 45connect sockets
Manufacturer	OBO
Colour	Black
Material	Polyamide
Smallest sales unit	10
Unit of quantity	Piece
Weight	0.59 kg
Weight unit	kg/100 pc.
CO2 Footprint (GWP) Cradle-to-Gate	0,0307 kg CO2e / 1 Piece

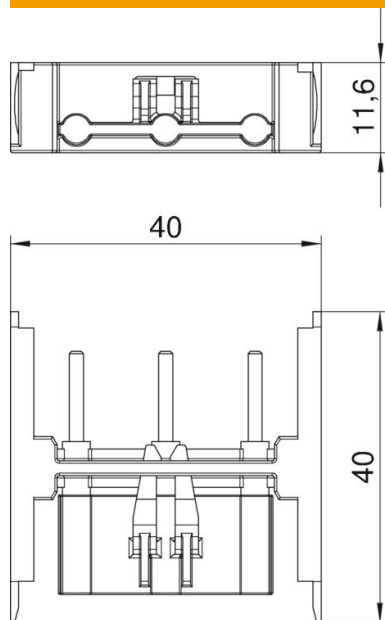
Technical data sheet

Modul 45connect® connector

Item number: 6117198



Dimensions



Width	40 mm
Height	11.6 mm

Technical data

Closable	no
Astro range	no
Ejection mechanism	no
Halogen-free	yes
Insulated installation	no
Hinged cover	no
With on/off switch	no
With integrated USB power supply	no
With fine-wire fuse	no
With functional lighting	no
With orientation lighting	no
Nominal voltage	250 V
Nominal current	16 A
Depth	40 mm
Transparent	no
Random generator	no
Surge protection	no