

# Technical data sheet

## 33° socket, with earthing pin, single

Item number: 6120230



Socket with earthing pin Single 33°, with increased touch protection, with screwless terminals, 2-pin, 16 A, 250V ~, with connection terminals to IEC 60884-1.

For installation in Rapid 45 trunking, device installation trunking, service poles, underfloor systems and desk boxes.



PC Polycarbonate

### Master data

|                                    |                          |
|------------------------------------|--------------------------|
| Item number                        | 6120230                  |
| Type                               | STD-F3 SWGR1             |
| Description 1                      | Socket 33°, single       |
| Description 2                      | with earth pin           |
| Manufacturer                       | OBO                      |
| Dimension                          | 250V, 10/16A             |
| Colour                             | Black-grey; RAL 7021     |
| Material                           | Polycarbonate            |
| Smallest sales unit                | 1                        |
| Unit of quantity                   | Piece                    |
| Weight                             | 3.8 kg                   |
| Weight unit                        | kg/100 pc.               |
| CO2 Footprint (GWP) Cradle-to-Gate | 0,2768 kg CO2e / 1 Piece |

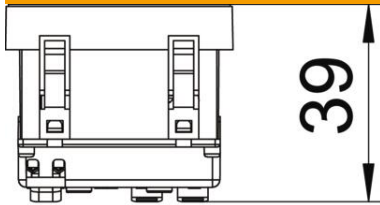
# Technical data sheet

33° socket, with earthing pin, single

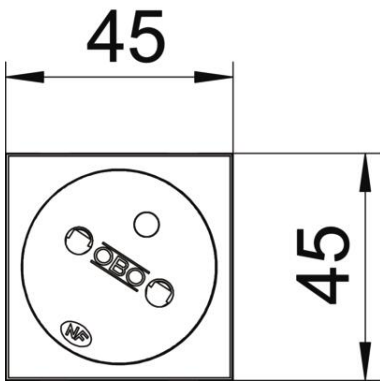
Item number: 6120230



## Dimensions



|        |       |
|--------|-------|
| Width  | 45 mm |
| Height | 45 mm |



## Technical data

|  |                        |
|--|------------------------|
| Cover  | Central plate          |
| Closable   | no                     |
| Connection type                                  | Screwless terminal     |
| Number of units                                  | 1                      |
| Number of modules (for modular construction)     | 1                      |
| Number of switchable sockets                     | 0                      |
| Number of poles                                  | 2                      |
| Printed label/coding                             | Without printing       |
| Version for                                      | Single 33°             |
| Surface version                                  | Matt                   |
| Version for                                      | Protective contact pin |
| Ejection mechanism                               | no                     |
| Fastening type                                   | Lock                   |
| Labelling panel                                  | no                     |
| Operating temperature, max.                      | 40 °C                  |
| Operating temperature, min.                      | -5 °C                  |
| increased touch protection                       | yes                    |
| Error current protection                         | no                     |
| For more difficult conditions (according to VDE) | no                     |
| Halogen-free                                     | yes                    |
| Insulated installation                           | no                     |

# Technical data sheet

33° socket, with earthing pin, single

Item number: 6120230



## Technical data

|                           |                              |
|---------------------------|------------------------------|
| Hinged cover              | no                           |
| Coding                    | no                           |
| Warning light             | no                           |
| With on/off switch        | no                           |
| With fine-wire fuse       | no                           |
| With functional lighting  | no                           |
| With orientation lighting | no                           |
| Mounting type             | Device installation duct     |
| Nominal voltage           | 250 V                        |
| Nominal current           | 16 A                         |
| Protection rating         | Other                        |
| Special power supply      | Without special power supply |
| Socket version            | NF                           |
| Socket angle              | 33°                          |
| Depth                     | 39 mm                        |
| Transparent               | no                           |
| Rotated central insert    | yes                          |
| Approvals                 | VDE                          |
| Surge protection          | no                           |