

Technical data sheet

0° socket, with earthing pin, encoded version, single

Item number: 6120312



Socket with earthing pin, single 0°, encoded version, with increased touch protection, with screwless terminals, 2-pin, 16 A, 250 V~, with connection terminals according to IEC 60884-1.

The socket can only be used in connection with an encoding pin of type CST-STD.

Note: The encoding pin is not contained in the scope of supply.

For installation in Rapid 45 trunking, device installation trunking, service poles, underfloor systems and desk boxes.



PC Polycarbonate

Master data

Item number	6120312
Type	STD-F0K SRO1
Description 1	Socket 0°, single, coded
Description 2	with earth pin
Manufacturer	OBO
Dimension	250V, 10/16A
Colour	Signal red; RAL 3001
Material	Polycarbonate
Smallest sales unit	1
Unit of quantity	Piece
Weight	4 kg
Weight unit	kg/100 pc.
CO2 Footprint (GWP) Cradle-to-Gate	0,2421 kg CO2e / 1 Piece

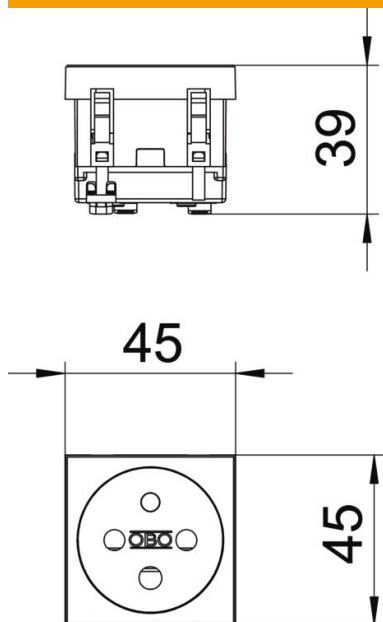
Technical data sheet

0° socket, with earthing pin, encoded version, single

Item number: 6120312



Dimensions



Width	45 mm
Height	45 mm

Technical data

Cover	Central plate
Closable	no
Connection type	Screwless terminal
Number of units	1
Number of modules (for modular construction)	0
Number of switchable sockets	0
Number of poles	2
Printed label/coding	Without printing
Version for	Single 0°
Surface version	Matt
Version for	Protective contact pin
Ejection mechanism	no
Fastening type	Lock
Labelling panel	no
Operating temperature, max.	40 °C
Operating temperature, min.	-5 °C
increased touch protection	yes
Error current protection	no
For more difficult conditions (according to VDE)	no
Halogen-free	yes
Insulated installation	no
Hinged cover	no
Coding	yes
Warning light	no
With on/off switch	no

Technical data sheet

0° socket, with earthing pin, encoded version, single

Item number: 6120312



Technical data

With fine-wire fuse	no
With functional lighting	no
With orientation lighting	no
Mounting type	Device installation duct
Nominal voltage	250 V
Nominal current	16 A
Protection rating	Other
Special power supply	Without special power supply
Socket version	NF
Socket angle	0°
Depth	39 mm
Transparent	no
Rotated central insert	no
Surge protection	no