

# Technical data sheet

## Trunking, type WDK 10020

Item number: 6150764



Trunking cover and base with base perforation.



**PVC** Polyvinylchloride

### Master data

Item number	6150764
Type	WDK10020RW
Description 1	Wall trunking system
Description 2	with base perforation
Manufacturer	OBO
Dimension	10x20x2000
Colour	Pure white; RAL 9010
Material	Polyvinylchloride
Smallest sales unit	2
Unit of quantity	Metre
Weight	10 kg
Weight unit	kg/100 m
CO2 Footprint (GWP) Cradle-to-Gate	0,1925 kg CO2e / 1 Meter

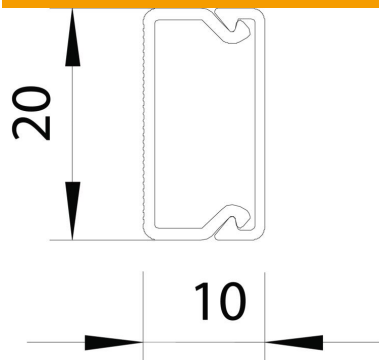
# Technical data sheet

## Trunking, type WDK 10020

Item number: 6150764



### Dimensions



Length	2,000 mm
Width	20 mm
Height	10 mm

### Technical data

Number of fixed partitions	0
Number of insertable partitions	0
Version, cable trunking cover	Loose
Fastening type	Base perforation
Maintain electrical functions	no
Halogen-free	no
Cable retaining clip	yes
Duct connector	no
Delivery on a roll	no
Usable cross-section	135 mm <sup>2</sup>
Protection rating	IP30
Protective film	no
Protection rating IK code	IK04
Permitted temperature range, max.	60 °C
Permitted temperature range, min.	-5 °C