

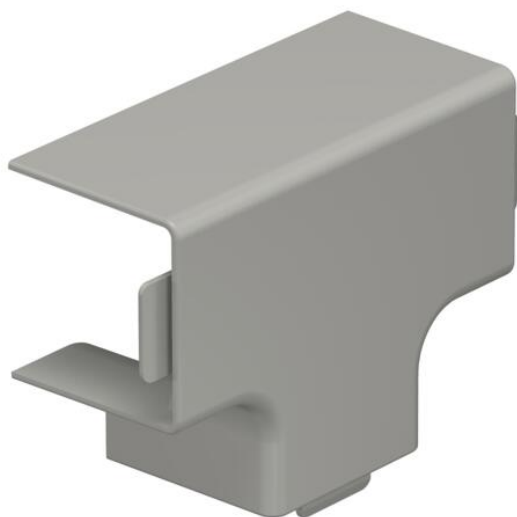
Technical data sheet

T piece cover, for trunking type WDK 30030

Item number: 6158536



T piece hood for changing the direction of the WDK trunking.



PVC Polyvinylchloride

Master data

Item number	6158536
Type	WDK HT30030GR
Description 1	T piece hood
Manufacturer	OBO
Dimension	30x30mm
Colour	Stone grey; RAL 7030
Material	Polyvinylchloride
Smallest sales unit	4
Unit of quantity	Piece
Weight	1.485 kg
Weight unit	kg/100 pc.
CO2 Footprint (GWP) Cradle-to-Gate	0,0504 kg CO2e / 1 Piece

Technical data sheet

T piece cover, for trunking type WDK 30030

Item number: 6158536



Dimensions



Length	50 mm
Width	30 mm
Height	30 mm
Dimension a	50 mm
Dimension b	39 mm
Dimension H	30 mm

Technical data

Version for	Hood fitting
Fastening type	Lockable
Maintain electrical functions	no
for duct dimension	30 x 30
Halogen-free	no
Trunking depth	30 mm
Protection rating	IP30
Protective film	no
Protection rating IK code	IK04
Permitted temperature range, max.	60 °C
Permitted temperature range, min.	-5 °C