

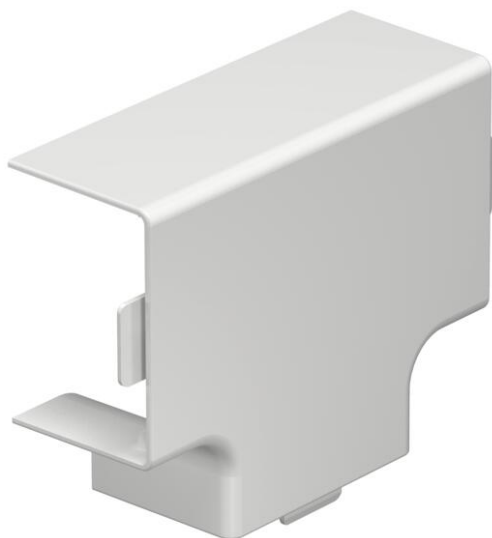
Technical data sheet

T and intersection cover, for trunking type WDK 30045

Item number: 6175698



T and intersection cover for changing the direction of the halogen-free WDK-H trunking.



PC/ABS Polycarbonate/Acrylnitrile-butadiene-styrene

Master data

Item number	6175698
Type	WDKH-T30045RW
Description 1	T- and crosspiece cover
Description 2	halogen-free
Manufacturer	OBO
Dimension	30x45mm
Colour	Pure white; RAL 9010
Material	Polycarbonate/Acrylnitrile-butadiene-styrene
Smallest sales unit	4
Unit of quantity	Piece
Weight	1.803 kg
Weight unit	kg/100 pc.
CO2 Footprint (GWP) Cradle-to-Gate	0,128 kg CO2e / 1 Piece

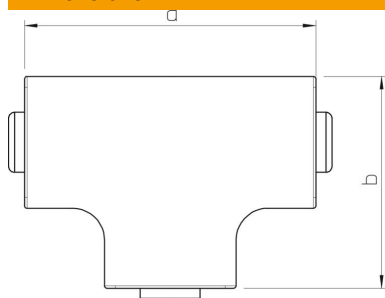
Technical data sheet

T and intersection cover, for trunking type WDK 30045

Item number: 6175698



Dimensions



Length	88 mm
Width	45 mm
Height	30 mm
Dimension a	88 mm
Dimension b	68 mm

Technical data

Version for	Hood fitting
Fastening type	Lockable
Maintain electrical functions	no
for duct dimension	30 x 45
Halogen-free	yes
Duct height, min.	45 mm
Trunking depth	30 mm
Protection rating	IP30
Protective film	no
Protection rating IK code	IK07.
Permitted temperature range, max.	90 °C
Permitted temperature range, min.	-5 °C