

Technical data sheet

Trunking, type WDK 15015

Item number: 6191002



Trunking cover and base with base perforation.
Covered



PVC Polyvinylchloride

Master data

Item number	6191002
Type	WDK15015RW
Description 1	Wall trunking system
Description 2	with base perforation
Manufacturer	OBO
Dimension	15x15x2000
Colour	Pure white; RAL 9010
Material	Polyvinylchloride
Smallest sales unit	56
Unit of quantity	Metre
Weight	9 kg
Weight unit	kg/100 m
CO2 Footprint (GWP) Cradle-to-Gate	0,1789 kg CO2e / 1 Meter

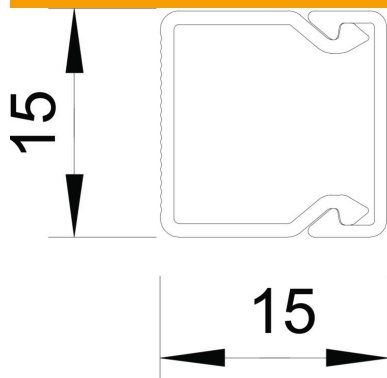
Technical data sheet

Trunking, type WDK 15015

Item number: 6191002



Dimensions



Length	2,000 mm
Width	15 mm
Height	15 mm

Technical data

Number of fixed partitions	0
Number of cables NYM 3 x 1.5 mm ² Ø 10.5 mm (without socket)	1
Number of insertable partitions	0
Version, cable trunking cover	Loose
Fastening type	Base perforation
Maintain electrical functions	no
Halogen-free	no
Cable retaining clip	no
Duct connector	no
Delivery on a roll	no
Usable cross-section	164 mm ²
Protection rating	IP30
Protective film	no
Protection rating IK code	IK04
Permitted temperature range, max.	60 °C
Permitted temperature range, min.	-5 °C