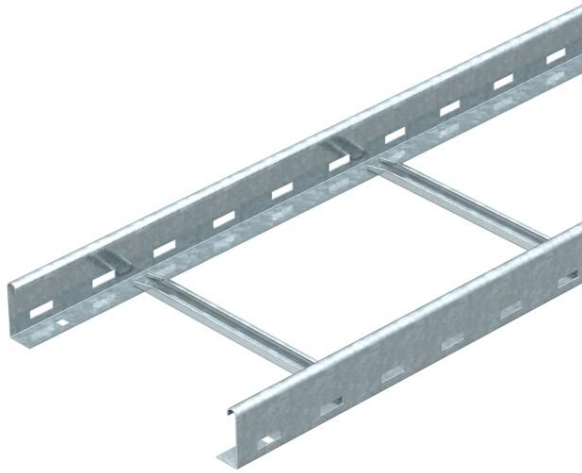


Technical data sheet

LG 60 cable ladder, 3 m NS FS

Item number: 6208506



Cable ladder with perforated side rail of side height 60 mm with riveted C profile rungs, open in an upwards direction (NS version).
The cable ladder is shipped folded up.
You can find the appropriate U clamp of type 2056N in the vertical ladder systems chapter.
Magnetic shield insulation without cover 10 dB, with cover 15 dB.



- St** Steel
- FS** Strip galvanized

Master data

Item number	6208506
Type	LG 620 NS 3 FS
Description 1	Cable ladder
Description 2	perforated, with NS rung
Manufacturer	OBO
Dimension	60x200x3000
Colour	zinc
Material	Steel
Surface	Strip galvanized
Surface standard	DIN EN 10346
Smallest sales unit	3
Unit of quantity	Metre
Weight	247.64 kg
Weight unit	kg/100 m
CO2 Footprint (GWP) Cradle-to-Gate	5,9221 kg CO2e / 1 Meter

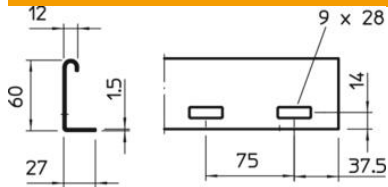
Technical data sheet

LG 60 cable ladder, 3 m NS FS

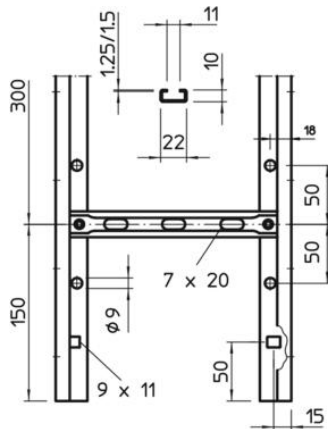
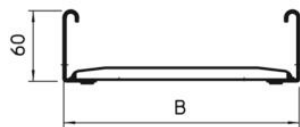
Item number: 6208506



Dimensions



Dimension	60x200x3000
Length	3,000 mm
Width	200 mm
Height	60 mm



Technical data

Version of the rungs	Profile perforated
Side rail version	Flat profile
Fastening of rung	Blind riveted
Mounting system fastening type	Floor Ceiling Wall
Maintain electrical functions	no
Usable cross-section	98 cm ²
Usable cross-section	9800 mm ²
Rustproof steel, pickled	no
Side perforation	yes
Rung distance	300 mm
Wide-span version	no
Rail thickness	1.5 mm

Technical data sheet

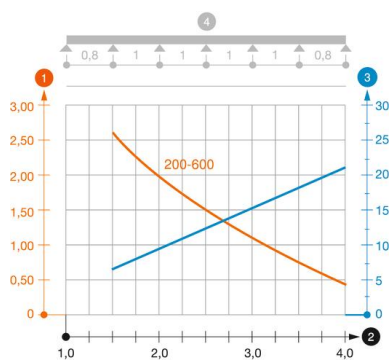
LG 60 cable ladder, 3 m NS FS

Item number: 6208506



Loads

Support spacing 1.5 m	3.1 kN/m
Support spacing 2.0 m	2 kN/m
Support spacing 2.5 m	1.5 kN/m
Support spacing 3.0 m	1 kN/m
Support spacing 3.5 m	0.6 kN/m
Support spacing 4.0 m	0.4 kN/m



Load diagram, cable ladder, type LG 60 NS

- 1 Permitted cable tray/ladder load in kN/m without man load
- 2 Support width in m
- 3 Rail bend in mm at permitted kN/m
- 4 Load scheme during testing
- Load curve with cable tray/ladder width in mm
- Strut bend curve according to support width