

Technical data sheet

Sheet steel flat angle cover, 50 mm system opening

Item number: 6279990



Sheet steel flat angle cover for 50 mm system opening.



St Steel

Master data

| | |
|------------------------------------|---------------------------|
| Item number | 6279990 |
| Type | GS-OT50FRW |
| Description 1 | Cover |
| Description 2 | for flat angle, System 50 |
| Manufacturer | OBO |
| Dimension | 12x45x400 |
| Colour | Pure white; RAL 9010 |
| Material | Steel |
| Smallest sales unit | 1 |
| Unit of quantity | Piece |
| Weight | 34.4 kg |
| Weight unit | kg/100 pc. |
| CO2 Footprint (GWP) Cradle-to-Gate | 1,3291 kg CO2e / 1 Piece |

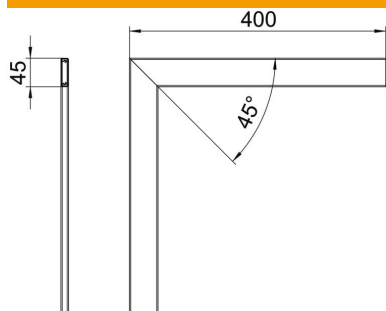
Technical data sheet

Sheet steel flat angle cover, 50 mm system opening

Item number: 6279990



Dimensions



| | |
|--------|--------|
| Length | 400 mm |
| Width | 45 mm |
| Height | 12 mm |

Technical data

| | |
|-----------------------------------|----------|
| Version for | Smooth |
| Halogen-free | yes |
| Cover mounting type | Internal |
| Protection rating | IP30 |
| Protective film | yes |
| Protection rating IK code | IK10 |
| Permitted temperature range, max. | 60 °C |
| Permitted temperature range, min. | -25 °C |