

Technical data sheet

7ZE strain relief

Item number: 6288790



Strain relief with locking clips, suitable for the accessory mounting boxes 7GD... and 71GD...
Cable clamping range to 14 mm.



PA Polyamide

Master data

Item number	6288790
Type	7ZE
Description 1	Strain relief
Description 2	f. access.mount.bboxes 7GD+71GD
Manufacturer	OBO
Dimension	28x34x14
Colour	Graphite black; RAL 9011
Material	Polyamide
Smallest sales unit	50
Unit of quantity	Piece
Weight	0.7 kg
Weight unit	kg/100 pc.
CO2 Footprint (GWP) Cradle-to-Gate	0,036 kg CO2e / 1 Piece

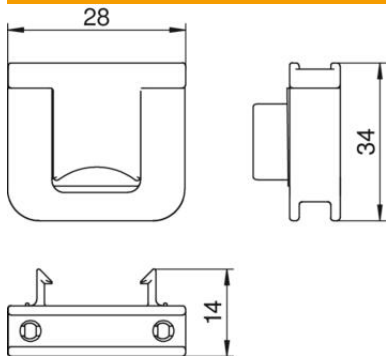
Technical data sheet

7ZE strain relief

Item number: 6288790



Dimensions



Length	34 mm
Width	28 mm
Height	14 mm

Technical data

Fastening type	Screw-on
Suitable for	Mounting box
Strain relief option	yes
Accessories	yes
Spare part	no
Magnetic	no