

Technical data sheet

Slot nut for industrial pole

Item number: 6290499



Sliding block with M8 thread for mounting extensions and accessories to the ISS industrial service pole profile. Through a pressure piece on the bottom side, the sliding block can hold itself by being swivelled into the groove. Automatic anti-rotation lock through profiled upper side.



- St** Steel
- VZ** galvanised

Master data

Item number	6290499
Type	NS8 ST
Description 1	Slot nut
Description 2	M8 for install.column,industry
Manufacturer	OBO
Dimension	23x13,3x7,5
Colour	zinc
Material	Steel
Surface	galvanised
Surface standard	
Smallest sales unit	10
Unit of quantity	Piece
Weight	0.93 kg
Weight unit	kg/100 pc.
CO2 Footprint (GWP) Cradle-to-Gate	0,033 kg CO2e / 1 Piece

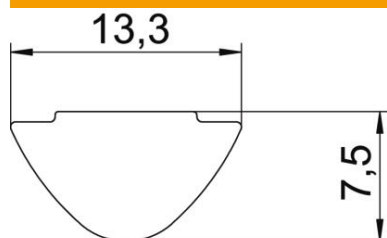
Technical data sheet

Slot nut for industrial pole

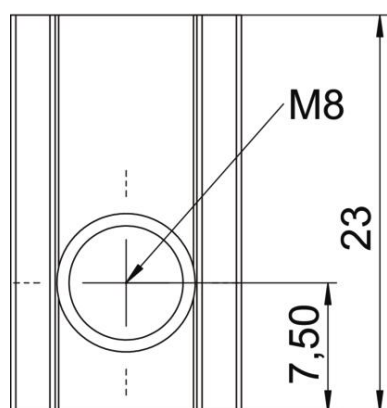
Item number: 6290499



Dimensions



Length	23 mm
Width	13.3 mm
Height	7.5 mm



Technical data

Type of accessory	Sliding block
Halogen-free	yes
Protection rating	IP30
Protection rating IK code	IK10
Permitted temperature range, max.	60 °C
Permitted temperature range, min.	-25 °C