

# Technical data sheet

## Head plate, variable

Item number: 6348106



Variable head plate, adjustable in straight direction, for installation on IS 8 support.  
Including appropriate fastening material.

Limit the length of the support to max. 2,000 mm.



**St** Steel

**FT** Hot-dip galvanised

### Master data

Item number	6348106
Type	KI 8 VQP FT
Description 1	Head plate
Description 2	IS8 supp. variable lengthways
Manufacturer	OBO
Dimension	200mm
Colour	zinc
Material	Steel
Surface	Hot-dip galvanised
Surface standard	DIN EN ISO 1461
Smallest sales unit	1
Unit of quantity	Piece
Weight	219 kg
Weight unit	kg/100 pc.
CO2 Footprint (GWP) Cradle-to-Gate	5,0251 kg CO2e / 1 Piece

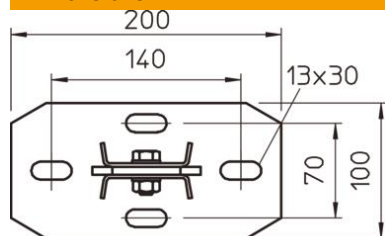
# Technical data sheet

## Head plate, variable

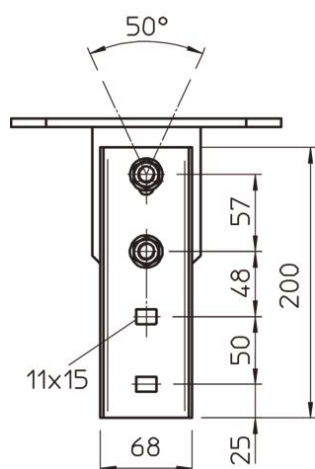
Item number: 6348106



### Dimensions



Length	200 mm
Width	100 mm
Height	221.5 mm



### Technical data

Version for	Screw head plate
Suitable for ceiling fastening	yes
Suitable for panel fastening	no
Suitable for profile shapes	I profile
Rustproof steel, pickled	no