

Technical data sheet

Wall and support bracket AW 15 FT

Item number: 6420664



Light-duty wall and support bracket with welded head plate.
Fastening of the bracket to the U support of width 400 mm or greater using a hexagonal bolt through both sides of the support. Please insert suitable spacers.



St

Steel

FT

Hot-dip galvanised

Master data

Item number	6420664
Type	AW 15 16 FT
Description 1	Wall and support bracket
Description 2	with welded head plate
Manufacturer	OBO
Dimension	B160mm
Colour	zinc
Material	Steel
Surface	Hot-dip galvanised
Surface standard	DIN EN ISO 1461
Smallest sales unit	1
Unit of quantity	Piece
Weight	20 kg
Weight unit	kg/100 pc.
CO2 Footprint (GWP) Cradle-to-Gate	0,4647 kg CO2e / 1 Piece

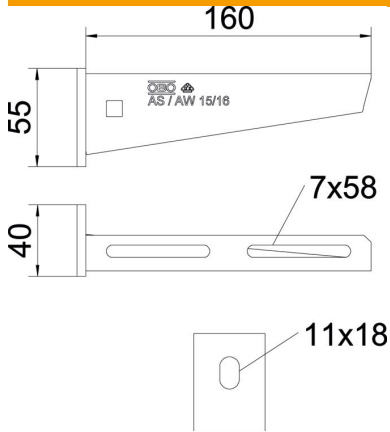
Technical data sheet

Wall and support bracket AW 15 FT



Item number: 6420664

Dimensions

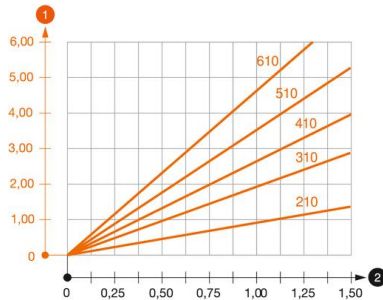


Length	40 mm
Width	160 mm
Width	6 in
Height	55 mm
Height	2.17 in
Dimension A	40 mm
Dimension B	160 mm
Dimension H	55 mm
Dimension W	160 mm

Technical data

Version for	Wall and support bracket
EPD article	yes
F in kN	1.5 kN
Maintain electrical functions	yes
Hole diameter	11 mm
Rustproof steel, pickled	no
Angle range, max.	90 mm
Angle range, min.	90 mm

Loads



Load diagram, bracket, type AW 15

- 1 Bending of the bracket tip at permitted bracket load
- 2 Permitted bracket load in kN without man load
- Load curve with bracket lengths in mm

Technical data sheet

Wall and support bracket AW 15 FT

Item number: 6420664

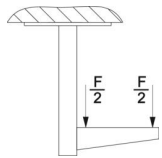


Characteristic anchor load values for wall bracket AW 15

Wall fastening	Max. load [kN]
	Bracket width [mm]
Anchor type	<TEXT><P>110</P></TEXT>, <TEXT><P>160</P></TEXT>, <TEXT><P>210</P></TEXT>, <TEXT><P>310</P></TEXT>, <TEXT><P>410</P></TEXT>, <TEXT><P>510</P></TEXT>, <TEXT><P>560</P></TEXT>, <TEXT><P>610</P></TEXT>
BZ3 10x90/0-30	<TEXT><P>1.5</P></TEXT>, <TEXT><P>1.5</P></TEXT>, <TEXT><P>1.5</P></TEXT>, <TEXT><P>1.5</P></TEXT>, <TEXT><P>1.47</P></TEXT>, <TEXT><P>1.25</P></TEXT>, <TEXT><P>1.13</P></TEXT>, <TEXT><P>0.95</P></TEXT>, <TEXT><P>0.94</P></TEXT>

Die angegebenen Werte basieren auf gerissenem Beton der Festigkeitsklasse C20/25. Die Einbaubedingungen der ETA-Zulassung (Dübel) sind zu beachten!

Load values for AW 15 on suspended support



Support	Max. total load F in kN
	Bracket length in mm
	<TEXT><P>100</P></TEXT>, <TEXT><P>200</P></TEXT>, <TEXT><P>300</P></TEXT>, <TEXT><P>400</P></TEXT>
US 3 K/ 20 - 60	<TEXT><P>1.5</P></TEXT>, <TEXT><P>1.5</P></TEXT>, <TEXT><P>1.3</P></TEXT>, <TEXT><P>1.3</P></TEXT>
US 3 K/ 70 - 120	<TEXT><P>1.5</P></TEXT>, <TEXT><P>1.5</P></TEXT>, <TEXT><P>1.3</P></TEXT>, <TEXT><P>1.3</P></TEXT>
US 5 K/ 20 - 60	<TEXT><P>1.5</P></TEXT>, <TEXT><P>1.5</P></TEXT>, <TEXT><P>1.5</P></TEXT>, <TEXT><P>1.5</P></TEXT>
US 5 K/ 70 - 120	<TEXT><P>1.5</P></TEXT>, <TEXT><P>1.5</P></TEXT>, <TEXT><P>1.4</P></TEXT>, <TEXT><P>1.5</P></TEXT>