

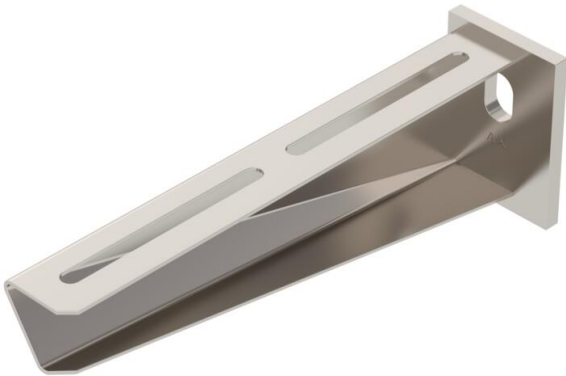
# Technical data sheet

## Wall and support bracket AW 30 A2

Item number: 6442838



Medium-duty wall and support bracket with welded head plate.  
Fastening of the bracket to the U support of width 400 mm or greater using a hexagonal bolt through both sides of the support. Please insert suitable spacers.



**A2** Stainless steel

**2B** Bright, treated

### Master data

Item number	6442838
Type	AW 30 21 A2
Description 1	Wall and support bracket
Description 2	with welded head plate
Manufacturer	OBO
Dimension	B210mm
Colour	stainless steel
Material	Stainless steel 1.4301
Surface	Bright, treated
Surface standard	
Smallest sales unit	1
Unit of quantity	Piece
Weight	37.5 kg
Weight unit	kg/100 pc.
CO2 Footprint (GWP) Cradle-to-Gate	2,1799 kg CO2e / 1 Piece

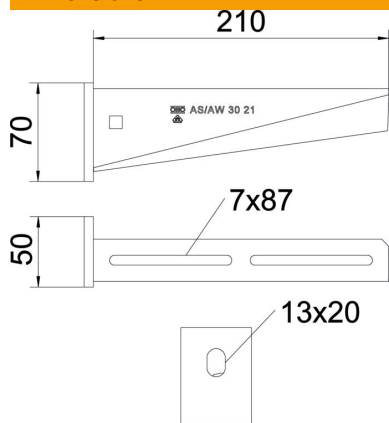
# Technical data sheet

## Wall and support bracket AW 30 A2

Item number: 6442838



### Dimensions

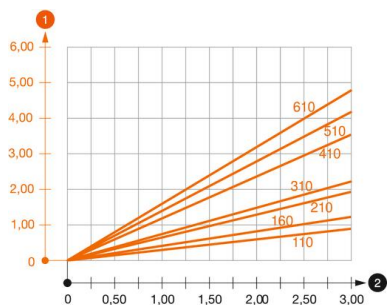


Length	50 mm
Width	210 mm
Height	70 mm
Dimension A	50 mm
Dimension B	210 mm
Dimension H	70 mm

### Technical data

Version for	Wall and support bracket
F in kN	3 kN
Maintain electrical functions	no
Hole diameter	13 mm
Rustproof steel, pickled	yes
Angle range, max.	90 mm
Angle range, min.	90 mm

### Loads



#### Load diagram, bracket, type AW 30

- 1** Bending of the bracket tip at permitted bracket load
- 2** Permitted bracket load in kN without man load
- Load curve with bracket lengths in mm

### Characteristic anchor load values for wall and support bracket AW 30

Anchor type	Wall fastening									
	Max. load [kN]									
	Bracket width [mm]									
	110	160	210	310	410	510	560	610	710	
BZ3 10x90/0-30	3.00	2.10	-	-	-	-	-	-	-	-
BZ3 12x110/0-35	-	-	3.00	2.71	2.07	2.02	1.98	1.98	1.51	

Max. Belastung F ges. = Kabelgewicht + Kabelrinne + Ausleger. Die angegebenen Werte basieren auf gerissenem Beton der Festigkeitsklasse C20/25. Die Einbaubedingungen der ETA-Zulassung (Dübel) sind zu beachten!