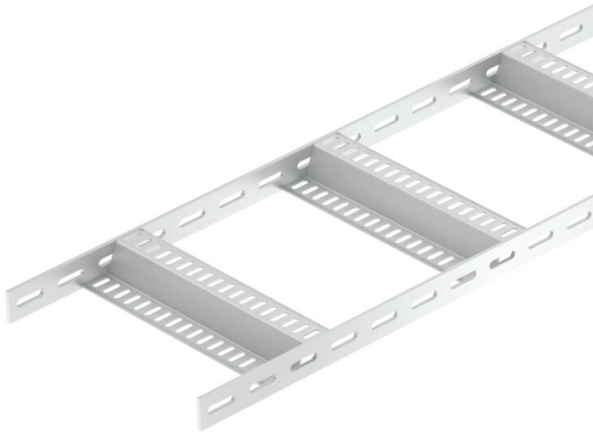


# Technical data sheet

## Cable ladder with Z rung, standard ALU

Item number: 7099782



Shipbuilding cable ladder with perforated side rail of side height 40 mm with welded, perforated Z rungs.  
The shipbuilding cable ladder, including fittings, is also available in stainless steel on request. Powder coating according to RAL colours possible.



**Alu** Aluminium

**GB** Pickled

### Master data

Item number	7099782
Type	SLZ 600 ALU
Description 1	Cable ladder, shipbuilding
Description 2	with Z-rung
Manufacturer	OBO
Dimension	40x610x3000
Colour	aluminium
Material	Aluminium
Surface	Pickled
Surface standard	
Smallest sales unit	3
Unit of quantity	Metre
Weight	196.9 kg
Weight unit	kg/100 m
CO2 Footprint (GWP) Cradle-to-Gate	34,0774 kg COe / 1 Meter

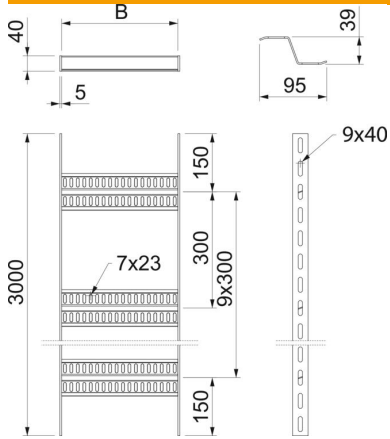
# Technical data sheet

## Cable ladder with Z rung, standard ALU

Item number: 7099782



### Dimensions



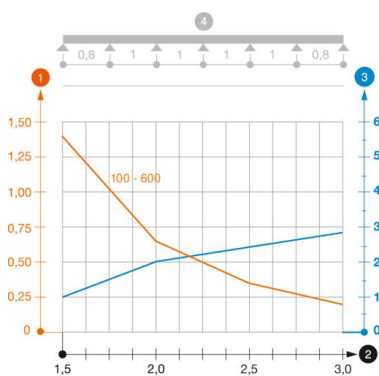
Length	3,000 mm
Width	600 mm
Height	40 mm
Dimension B	610 mm

### Technical data

Version of the rungs	Profile perforated
Side rail version	Flat profile
Fastening of rung	Welded
Maintain electrical functions	no
Rustproof steel, pickled	no
Side perforation	yes
Rung distance	300 mm
Wide-span version	no
Rail thickness	5 mm

### Loads

Support spacing 1.5 m	1.4 kN/m
Support spacing 2.0 m	0.65 kN/m
Support spacing 2.5 m	0.35 kN/m
Support spacing 3.0 m	0.2 kN/m



#### Load diagram, cable ladder, type SLZ ALU

- 1 Permitted cable tray/ladder load in kN/m without man load
- 2 Support width in m
- 3 Rail bend in mm at permitted kN/m
- 4 Load scheme during testing
- Load curve with cable tray/ladder width in mm
- Strut bend curve according to support width