

# Technical data sheet

90° bend 60 A2

Item number: 7134122



90° bend, horizontal, for all cable tray types of 60 mm side height.

The 100 mm width has a rectangular shape and does not correspond to the image.

The fitting is shipped in an unmounted state.

Including appropriate fastening material.



**A2** Stainless steel

**2B** Bright, treated

## Master data

Item number	7134122
Type	RB 90 610 A2
Description 1	90° bend
Description 2	horizontal, square type
Manufacturer	OBO
Dimension	60x100
Material	Stainless steel 1.4301
Surface	Bright, treated
Surface standard	
Smallest sales unit	1
Unit of quantity	Piece
Weight	125 kg
Weight unit	kg/100 pc.

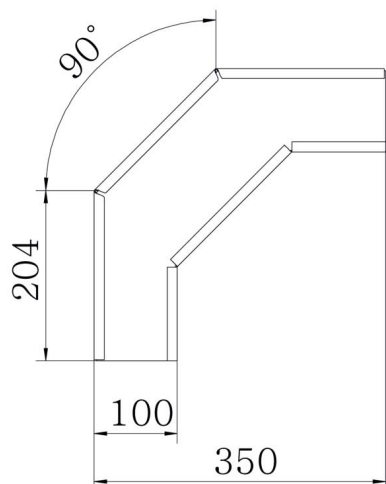
# Technical data sheet

90° bend 60 A2

Item number: 7134122



## Dimensions



Width	100 mm
Width	4 in
Height	60 mm
Height	2 in
Plate thickness	1 mm
Dimension B	100 mm
Dimension R	50 mm

## Technical data

Bend (angle)	90°
Connector version	Supplied connectors
Maintain electrical functions	no
Mounting perforation in base	no
NATO hole pattern	no
Change of direction	Horizontal
Rustproof steel, pickled	no
Side perforation	no
Wide-span version	no
Type of connector, cable support system	Screwed