

Technical data sheet

Identification plate

Item number: 7203140



Universal identification plate to be written on with waterproof and light-resistant felt-tip pen for cable bandages, including two push-fit anchors.

PVC Polyvinylchloride

Master data

Item number	7203140
Type	KS-FSB DE
Description 1	Identification plate
Description 2	for cable bandage
Manufacturer	OBO
Dimension	100x70
Colour	White
Material	Polyvinylchloride
Smallest sales unit	1
Unit of quantity	Piece
Weight	2.4 kg
Weight unit	kg/100 pc.
CO2 Footprint (GWP) Cradle-to-Gate	0,0546 kg CO2e / 1 Piece

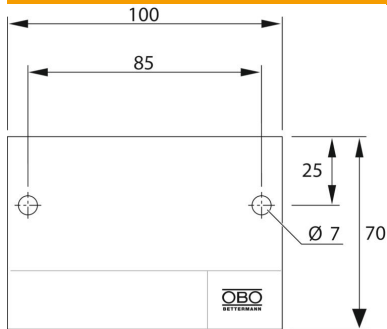
Technical data sheet

Identification plate

Item number: 7203140



Dimensions



Width	100 mm
Height	70 mm

Technical data

Language	German
----------	--------