

Technical data sheet

Mounting support for data technology connection sockets,
system length 165 mm
Item number: 7407836



Mounting support for installation of two cover plates and strain relief. Use instead of a UT3 mounting box.



St Steel

FS Strip galvanized

Master data

Item number	7407836
Type	MTU 2
Description 1	Base support
Description 2	for support plate
Manufacturer	OBO
Dimension	165x76x12
Colour	Jet black; RAL 9005
Material	Steel
Surface	Strip galvanized
Surface standard	DIN EN 10346
Smallest sales unit	1
Unit of quantity	Piece
Weight	11.4 kg
Weight unit	kg/100 pc.
CO2 Footprint (GWP) Cradle-to-Gate	0,6242 kg CO2e / 1 Piece

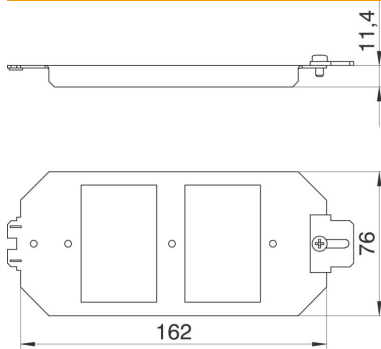
Technical data sheet

Mounting support for data technology connection sockets,
system length 165 mm

Item number: 7407836



Dimensions



Length	162 mm
Width	76 mm

Technical data

Connection options	2 support plates and strain relief
Number of installable devices	2
Number of strain reliefs	0
Version for	Support shape
Fastening type	Screw-on
Labelling panel	no
Floor covering protection frame	no
Floor plate	no
Lowerable to be flush-floor	no
Seal installation option	no
Installation opening for on-floor tank	no
Decouplable	no
Suitable for raised floor installation	yes
Suitable for screed-flush closed underfloor ducts	yes
Suitable for screed-covered underfloor ducts	yes
Suitable for cavity floor installation	yes
Suitable for underfloor ducts	yes
With floor covering recess	no
Heavy-duty version	no
Depth	11.4 mm
Strain relief option	yes