

# Technical data sheet

## Cover plate, Telitank T12L, Modul 45® installation opening

Item number: 7408164



Cover plate with rectangular opening for a triple Modul 45 socket, suitable for lengthwise side of T12L (1/2 cover).



PA Polyamide

### Master data

Item number	7408164
Type	T12L P17S 9011
Description 1	Cover plate
Description 2	for 3-way Modul 45 in T12L
Manufacturer	OBO
Dimension	142x88mm
Colour	Graphite black; RAL 9011
Material	Polyamide
Smallest sales unit	1
Unit of quantity	Piece
Weight	2.2 kg
Weight unit	kg/100 pc.
CO2 Footprint (GWP) Cradle-to-Gate	0,096 kg CO2e / 1 Piece

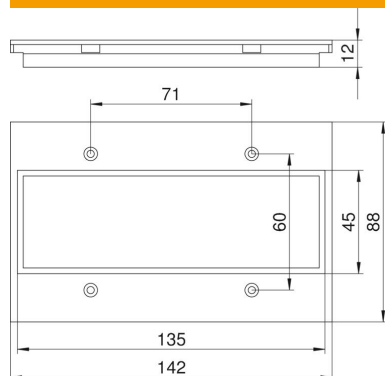
# Technical data sheet

## Cover plate, Telitank T12L, Modul 45® installation opening

Item number: 7408164



### Dimensions



Length	88 mm
Width	142 mm
Height	2 mm

### Technical data

Application	On-floor tank
Number of CEE/Perilex openings	0
Number of triple openings	1
Number of single openings	0
Number of oval openings	0
Number of square openings	0
Number of round openings	0
Number of double openings	0
Fastening type	Screw-on
Labelling panel	no
Blanking lid	no
Seal installation option	no
Suitable for labelling panel	no
Installation technology	Grid M45