

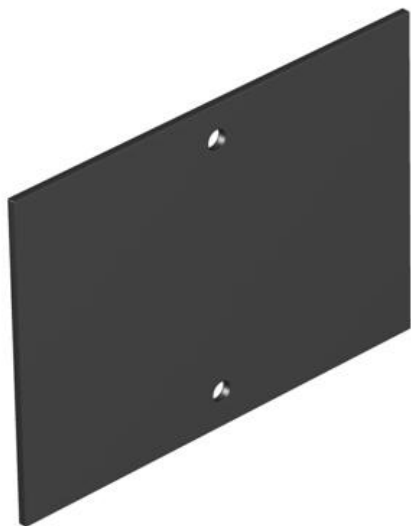
# Technical data sheet

## Cover plate, Telitank T4B, blank

Item number: 7408228



Cover plate "blank", suitable for lengthwise side of T4B (1/1 cover)



**PVC** Polyvinylchloride

### Master data

Item number	7408228
Type	T4B P0S2 9011
Description 1	Cover plate
Description 2	blank for T4B
Manufacturer	OBO
Dimension	110x77mm
Colour	Graphite black; RAL 9011
Material	Polyvinylchloride
Smallest sales unit	1
Unit of quantity	Piece
Weight	2.16 kg
Weight unit	kg/100 pc.
CO2 Footprint (GWP) Cradle-to-Gate	0,0638 kg CO2e / 1 Piece

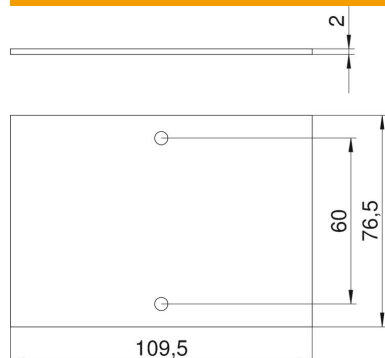
# Technical data sheet

## Cover plate, Telitank T4B, blank

Item number: 7408228



### Dimensions



Length	77 mm
Width	110 mm
Height	2 mm

### Technical data

Application	On-floor tank
Number of CEE/Perilex openings	0
Number of triple openings	0
Number of single openings	0
Number of oval openings	0
Number of square openings	0
Number of round openings	0
Number of double openings	0
Fastening type	Screw-on
Labelling panel	no
Blanking lid	yes
Suitable for labelling panel	no
Installation technology	Miscellaneous