

Technical data sheet

Strain relief

Item number: 7408650



Strain relief for use in universal support cover plates, in mounting boxes, module supports and T4L and T8NL Telitanks, for standard strain relief of inserted cables.



PA Polyamide

Master data

Item number	7408650
Type	ZE2 3
Description 1	Strain relief
Description 2	for mounting box
Manufacturer	OBO
Colour	Graphite black; RAL 9011
Material	Polyamide
Smallest sales unit	10
Unit of quantity	Piece
Weight	1.4 kg
Weight unit	kg/100 pc.
CO2 Footprint (GWP) Cradle-to-Gate	0,0097 kg CO2e / 1 Piece

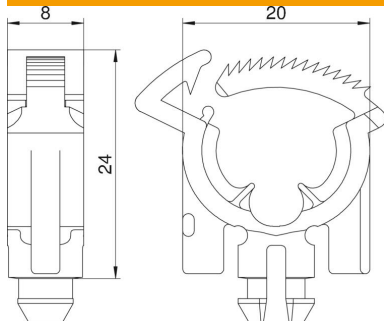
Technical data sheet

Strain relief

Item number: 7408650



Dimensions



Technical data

Fastening type	Lockable
Suitable for raised floor installation	yes
Suitable for screed-flush closed underfloor ducts	yes
Suitable for screed-covered underfloor ducts	yes
Suitable for underfloor ducts	yes
Strain relief option	yes