

Technical data sheet

Cover plate for universal support UT3, Modul 45® installation opening

Item number: 7408753



Cover plate for the installation of 3 Modul 45 devices.

UT34T mounting bridge for the installation of individual devices or socket combinations must be ordered separately.



PA Polyamide

Master data

Item number	7408753
Type	UT3 P3
Description 1	Cover plate
Description 2	for UT3, 3 Modul45
Manufacturer	OBO
Dimension	165x76x4
Colour	Graphite black; RAL 9011
Material	Polyamide
Smallest sales unit	10
Unit of quantity	Piece
Weight	2.4 kg
Weight unit	kg/100 pc.
CO2 Footprint (GWP) Cradle-to-Gate	0,1173 kg CO2e / 1 Piece

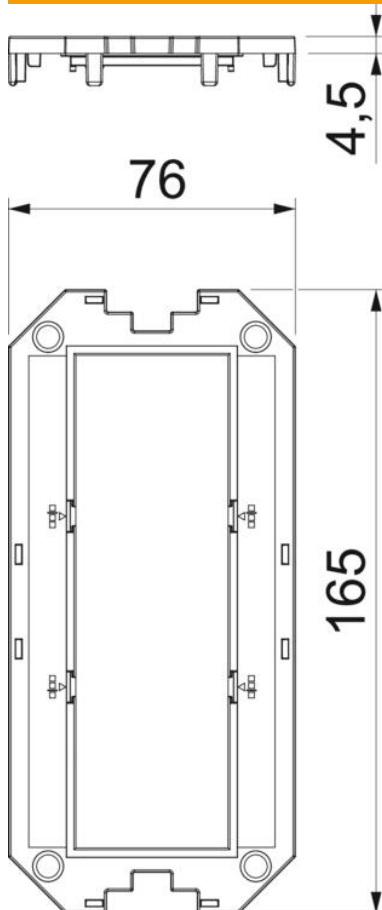
Technical data sheet

Cover plate for universal support UT3, Modul 45® installation opening

Item number: 7408753



Dimensions



Length 165 mm

Technical data

Application	Mounting box
Number of CEE/Perilex openings	0
Number of triple openings	1
Number of installable devices	3
Number of single openings	0
Number of oval openings	0
Number of square openings	0
Number of round openings	0
Number of double openings	0
Fastening type	Lockable
Labelling panel	no
Blanking lid	no
Suitable for labelling panel	no
Installation technology	Grid M45
Division in UT3	1/1