

# Technical data sheet

Height-adjustable heavy-duty cassette for tube body RK-FRSL, nominal size R7, stainless steel  
Item number: 7409468



Round heavy-duty cassette for tube body of nominal size R7 for the installation of accessories in trunking systems, raised and cavity floors, in dry or wet-cleaned floors indoors. Load class 2 to 20 kN.



Height-adjustable heavy-duty cassette with tube body with a load bearing capacity of 2-20 kN, 2-compartment. Two APMT2 cover plates and one APMT5 can be installed. For the installation of two UT3 and one UT4 universal support for seven single accessories with support ring/support clamp or 10 Modul 45 devices. The tube body is not contained in the scope of delivery.



A2 Stainless steel

## Master data

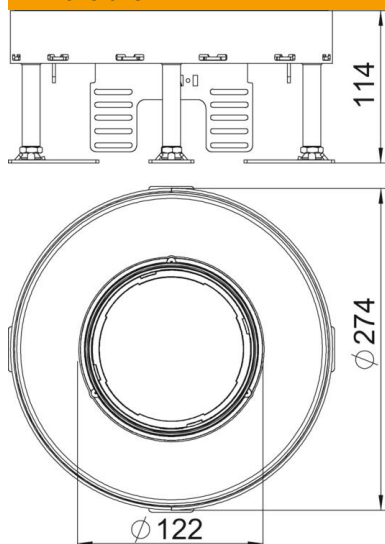
Item number	7409468
Type	RKFR2 7 SL2V2 25
Description 1	Heavy-duty cassette
Description 2	for tube, 20 kN
Manufacturer	OBO
Dimension	Ø275mm
Material	Stainless steel 1.4301
Smallest sales unit	1
Unit of quantity	Piece
Weight	947 kg
Weight unit	kg/100 pc.
CO2 Footprint (GWP) Cradle-to-Gate	21,0771 kg CO2e / 1 Piece

# Technical data sheet

Height-adjustable heavy-duty cassette for tube body RK-FRSL, nominal size R7, stainless steel  
Item number: 7409468



## Dimensions



Dimension h	114 mm
-------------	--------

## Technical data

Number of installable devices	10
Number of mounting boxes	3
Number of cable outlets	1
Version for	Round
Cable outlet version	Lowerable tube body
Floor care	Wet
Decouplable	no
Floor height, max.	159 mm
Floor height, min.	114 mm
Suitable for raised floor installation	yes
Suitable for cavity floor installation	yes
Suitable for underfloor box	350
Device support to accept mounting boxes	yes
Nominal size for device installation units	R7
Height-adjustment range, max.	159 mm
Height-adjustment range, min.	114 mm
Protection rating (IP) when used	IP20
Protection rating (IP) when unused	IP44
Protection rating IK code	IK10
Heavy-duty version	yes
Heavy load class	20 kN (OBO SL2)
Installation system type	UT3 / UT4
Floor covering thickness	25 mm