

# Technical data sheet

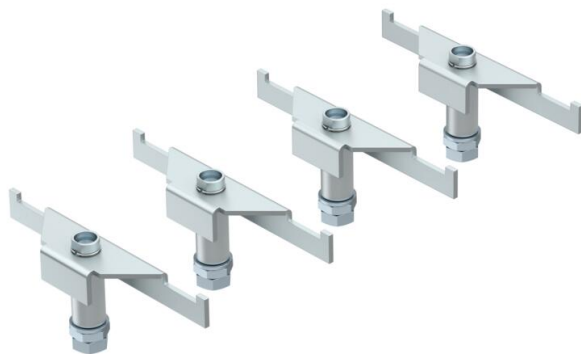
## DSSL heavy-duty support

Item number: 7410585



The heavy-duty supports reinforce the corner areas of the type UZD-3 underfloor box for increased load requirements.

The VPE consists of four heavy-duty supports.



**St** Steel

**FS** Strip galvanized

### Master data

Item number	7410585
Type	DSSL2 135
Description 1	Heavy-duty support
Description 2	for underfloor socket
Manufacturer	OBO
Dimension	135/170
Material	Steel
Surface	Strip galvanized
Surface standard	DIN EN 10346
Smallest sales unit	1
Unit of quantity	Packaging unit
Weight	121.84 kg
Weight unit	kg/100 PUs
CO2 Footprint (GWP) Cradle-to-Gate	3,2714 kg CO2e / 4 Piece

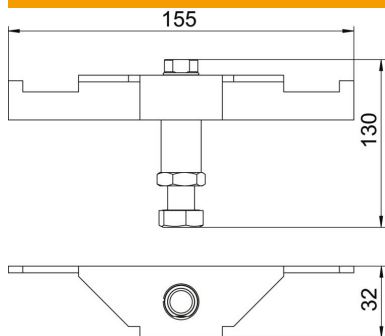
# Technical data sheet

## DSSL heavy-duty support

Item number: 7410585



### Dimensions



Length	155 mm
Width	32 mm
Height	130 mm

### Technical data

Type of accessory	Support
Screed height, max.	170 mm
Screed height, min.	135 mm
Heavy-duty version	yes