

Technical data sheet

Mounting support for GES6

Item number: 7428230



Enclosed mounting support for receiving 3 APMT2 cover plates. The mounting support is fastened below the GES6DB service outlet. Each with 6 knock-out openings M20 and M25 for the mounting of flexible installation hoses.



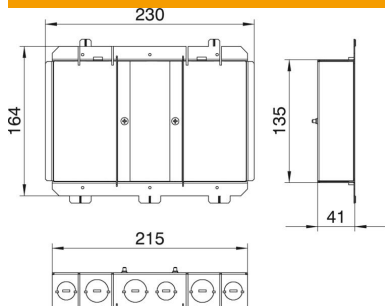
St Steel

FS Strip galvanized

Master data

Item number	7428230
Type	MT 6 DB AP2
Description 1	Mounting plate
Description 2	under GES6 BS mounting
Manufacturer	OBO
Dimension	234x164x41
Material	Steel
Surface	Strip galvanized
Surface standard	DIN EN 10346
Smallest sales unit	1
Unit of quantity	Piece
Weight	56 kg
Weight unit	kg/100 pc.
CO2 Footprint (GWP) Cradle-to-Gate	2,3821 kg CO2e / 1 Piece

Dimensions



Length	230 mm
Width	164 mm
Height	40 mm