

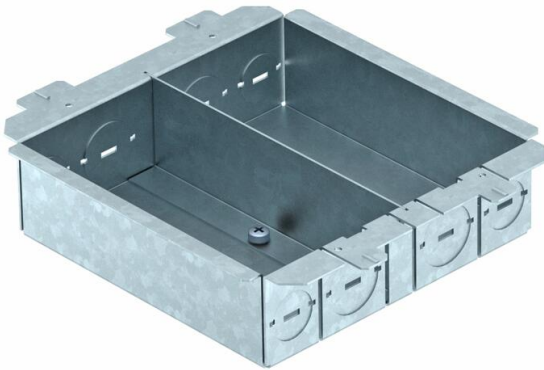
# Technical data sheet

## Mounting support – MT4 DBAP2

Item number: 7428233



Closed mounting support to accept 2 APMT2 cover plates. The mounting support is fastened below the GES4DB service outlet. Each with 4 knock-out openings M20 and M25 for the mounting of flexible installation hoses.



**St** Steel

**FS** Strip galvanized

### Master data

Item number	7428233
Type	MT4 DBAP2
Description 1	Mounting support
Description 2	for GES4 in false floors
Manufacturer	OBO
Dimension	180x137x41
Material	Steel
Surface	Strip galvanized
Surface standard	DIN EN 10346
Smallest sales unit	1
Unit of quantity	Piece
Weight	41.1 kg
Weight unit	kg/100 pc.
CO2 Footprint (GWP) Cradle-to-Gate	1,6162 kg CO2e / 1 Piece

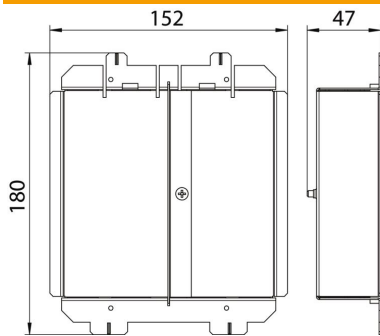
# Technical data sheet

## Mounting support – MT4 DBAP2

Item number: 7428233



### Dimensions



### Technical data

Number of installable devices	4
No. of entries	8
Labelling panel	no
Suitable for raised floor installation	yes
Suitable for cavity floor installation	yes
Device type	Miscellaneous
Installation technology	Miscellaneous
Heavy-duty version	no